
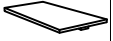



Thank You for purchasing this Quality product. It has been engineered for easy assembly yet constructed for durability. Please take the time to read and follow the instructions while assembling. Please be sure to read the Notes section at the bottom of the page before beginning Assembly. Thank You

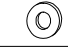




ASSEMBLY INSTRUCTION

DINING TABLE W/18" SELF STORE LEAF
Model : 6372BW (DOVE 1913)

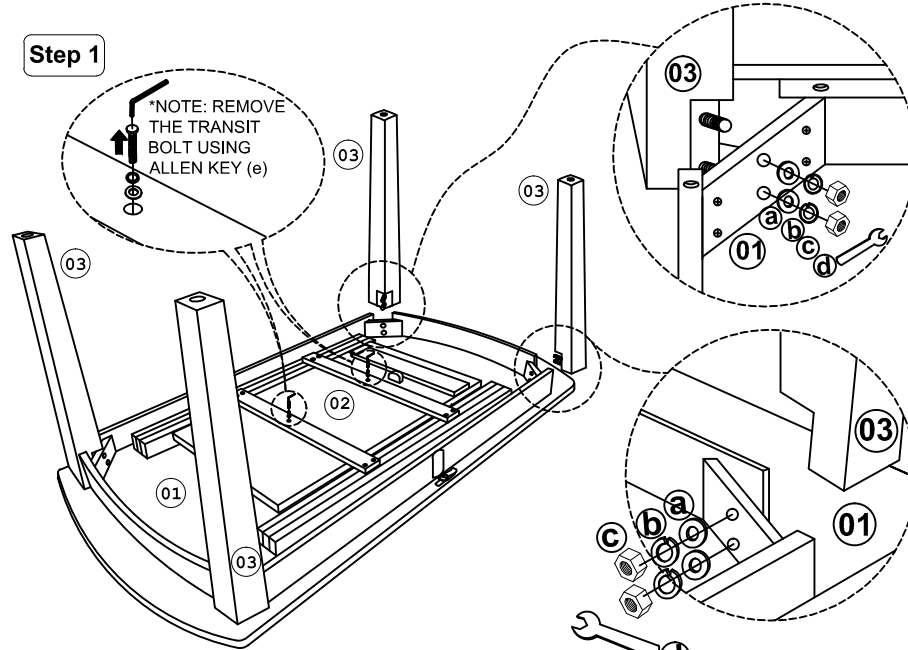
Size : 42" x 54" x 72" x 30" H
List of Part For 1 Set

01		Table Top	1
02		Center Leaf	1
03		Leg	4

List of hardware For 1 Set

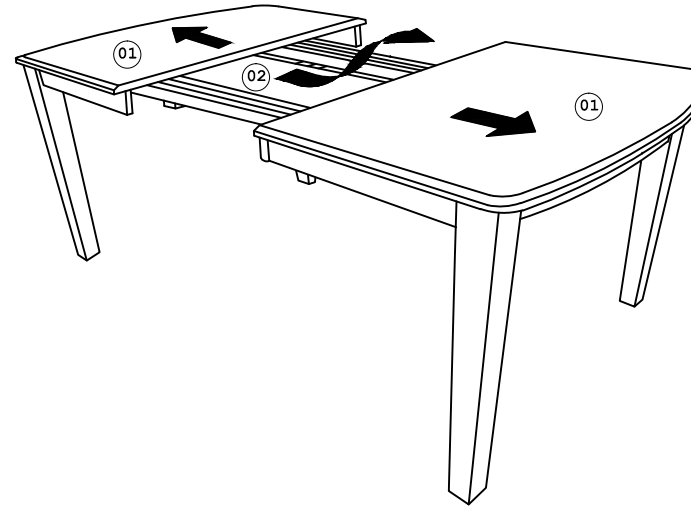
A		Flat Washer 5/16" x 22mm	8
B		Spring Washer 5/16"	8
C		HEX.NUT 5/6" X 7 MM	8
D		Spanner 12.8mm	1
E		Allen Key	1

Step 1



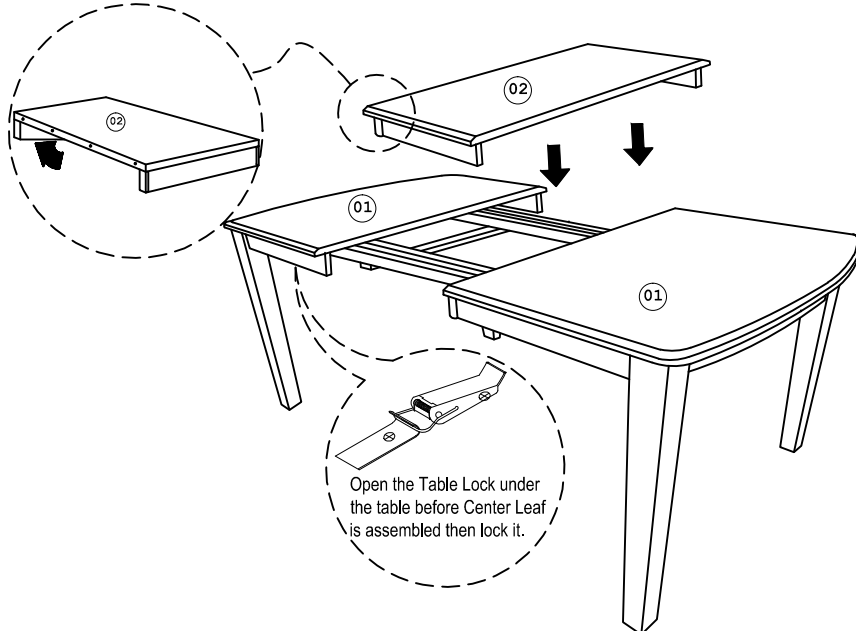
Step 2

UNLOCK THE LOCK UNDER THE TABLE THEN, PULL OUT BOTH TABLE ITEM NO. 01 AND TAKE OUT ITEM NO 02



Step 3

PLACE ITEM NO. 02 IN BETWEEN TABLE ITEM NO.01



Important Notes

- * Keep all hardware parts out of reach of children.
- * Must tighten screws periodically. With use screws will become loose. Check tightness of all screws every 6-8 weeks.
- * Don't attempt to repair or modify parts that are broken or defective. Please contact the store immediately.
- * Do not tighten all screw / bolt until all completely assembled

Notes

- * Place all wooden parts on a clean and smooth surface such as a rug or carpet to avoid the parts from being scratched.
- * Check to be sure that you have all parts and hardware.
- * Remove all wrapping materials including staples & packing straps before you start to assemble.

Assembly Completed !!..

Care And Maintenance

- The Touch of a soft cloth is all the maintenance your wood pieces will ever need.
- Never use harsh chemicals or abrasive cleaner as they could mark or destroy finish.

MADE IN MALAYSIA